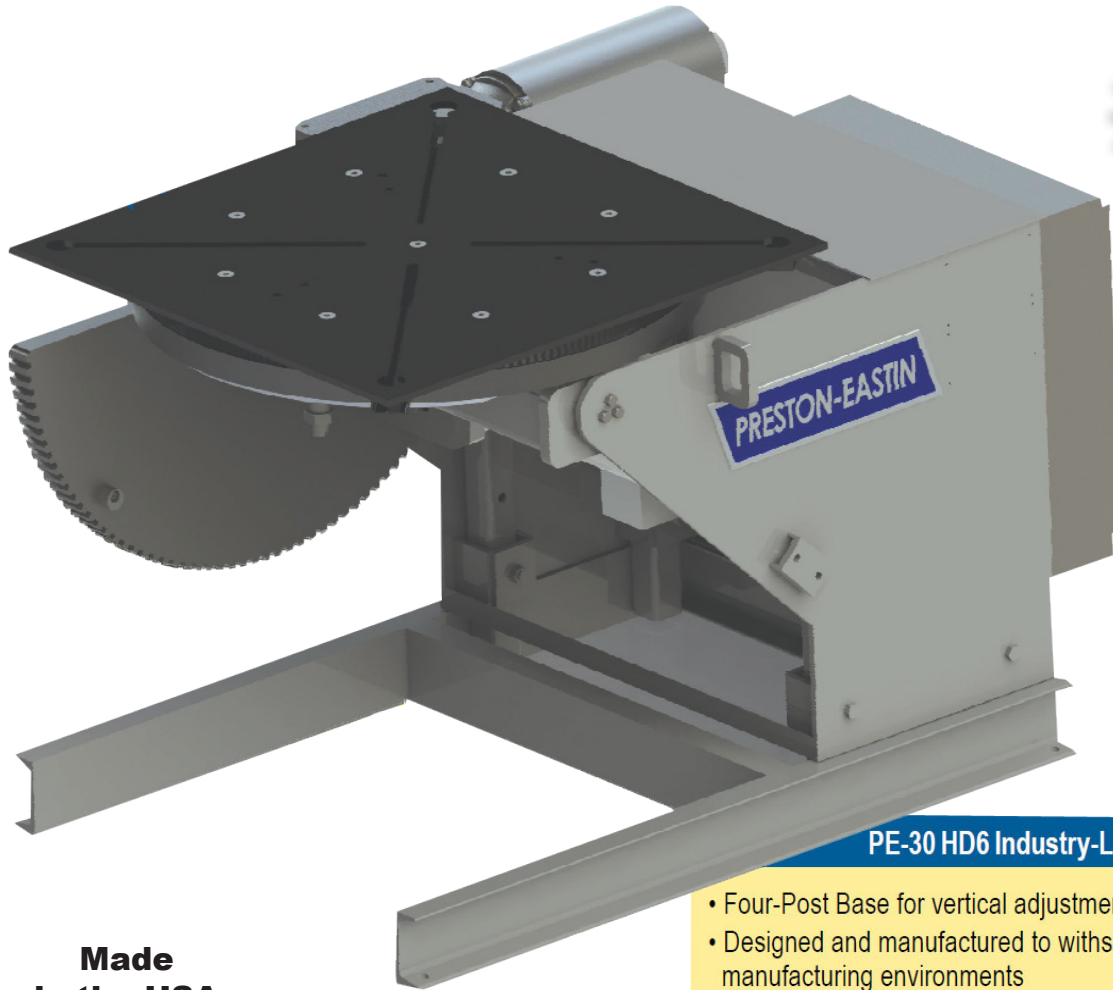


PRESTON-EASTIN POSITIONERS

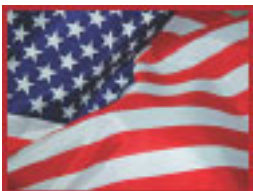
Precision 2 Axis Welding Positioner

Model PE-30 HD6

The Model PE-30 HD6 is ideal for construction OEM, oil & gas, and contract manufacturing applications. It delivers precise, repeatable and safe operation. Better positioning yields higher quality welds, improved productivity and a lower risk of operator injury.



**Made
in the USA**



PE-30 HD6 Industry-Leading Features:

- Four-Post Base for vertical adjustment
- Designed and manufactured to withstand harsh manufacturing environments
- 135° range of tilt
- Tilt Torque – 18,000 in- lbs (3,000 lbs @ 6"CG)
- Rotational Torque – 18,000 in-lbs (3,000 lbs @ 6" eccentric CG)
- Direct gear drive mechanism – no belts or chains

WELD PLUS
WELDING SOLUTIONS INC.®

4790 River Road Cincinnati, OH 45233

Toll Free: 800-288-9414

Phone: 513-941-4411 Fax: 513-467-3585

www.weldplus.com

PRESTON-EASTIN POSITIONERS

PRESTON-EASTIN

PRESTON-EASTIN MODEL PE-30 HD6 PRODUCT DATA

Capacity

- **Weight:** 3000 pounds
- **Offset of C.G. from table:** 6 inches
- **Eccentricity of C.G. from axis:** 6 inches

Rotation

- **Motor:** Variable speed AC, 1 horsepower
- **Speed range:** Up to 2.8 RPM
- **Speed accuracy:** 2% of set speed

Tilt

- **Motor:** AC brakemotor, 1 horsepower
- **Range:** 135 degrees forward tilt

Weight

- **Shipping weight:** 1,800 pounds

Controls

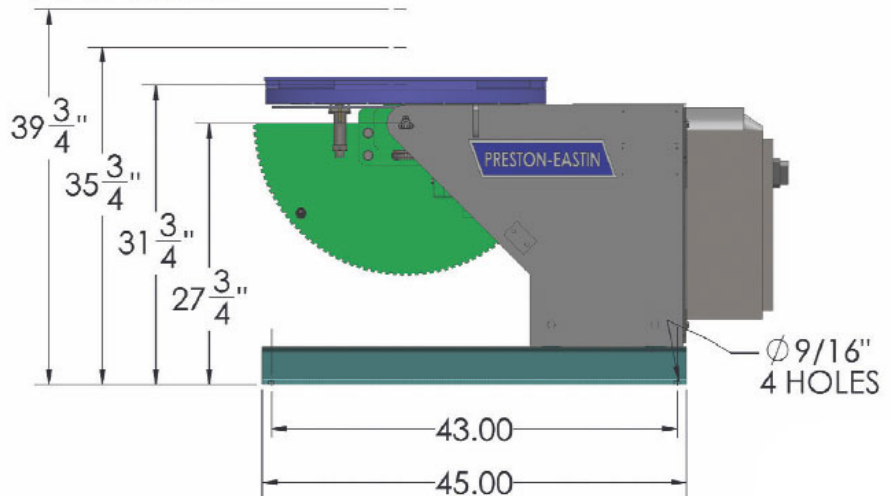
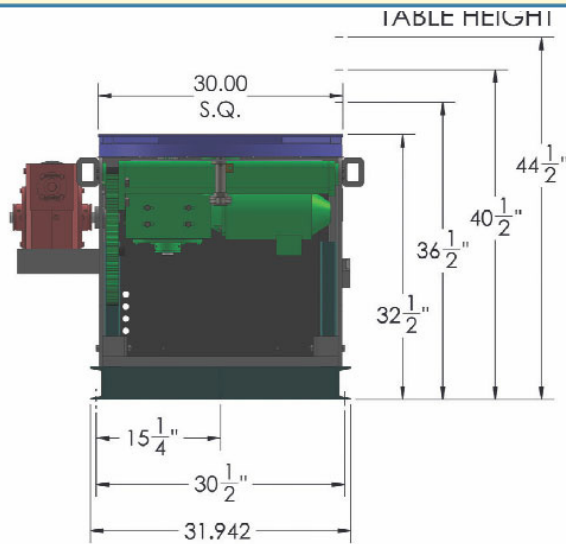
- **Pendant:** Remote pendant, w 30 foot cable
- **Rotation speed:** One-turn potentiometer
- **Rotation mode:** Two-position selector switch, WELD/RAPID
- **Rotation direction:** Three-position selector switch, FWD/OFF/REV
- **Rotation control:** START and STOP pushbuttons
- **Tilt directional control:** Three-position momentary switch, UP/OFF/DOWN
- **Power:** 480/240V, 10/20A, three phase, 60 hertz.
- **Overload protection:** Fused disconnect
- **Foot switch:** Optional

Elevation

- **Adjustment:** Manual
- **Range:** 32.5" to 44.5" in 4" increments (to top of table)

Table

- **Size:** 30 inch square with four radial T-slots
- **Mounting bolt size:** 1/2 inch
- **Bearings:** Timken tapered roller bearings
- **Ground:** 600 amp spring-loaded mechanical ground



5/8 W X 14 3/4 L. SLOT
4 PLACES, 1/2-13 T-NUTS

